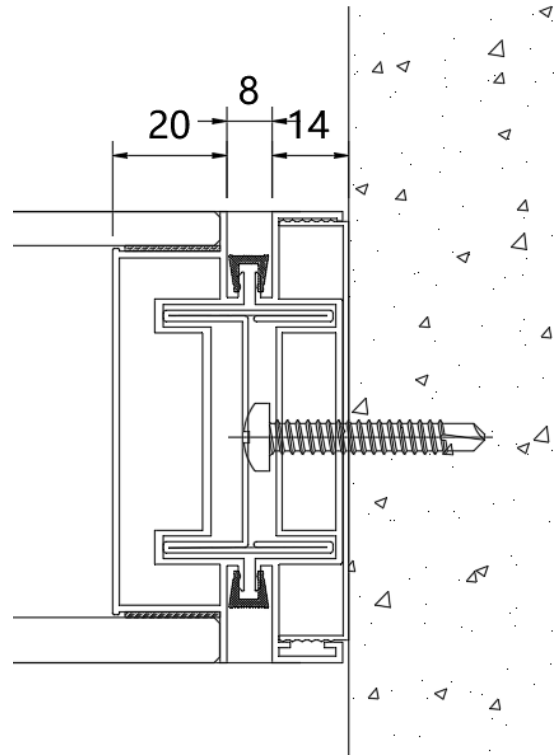
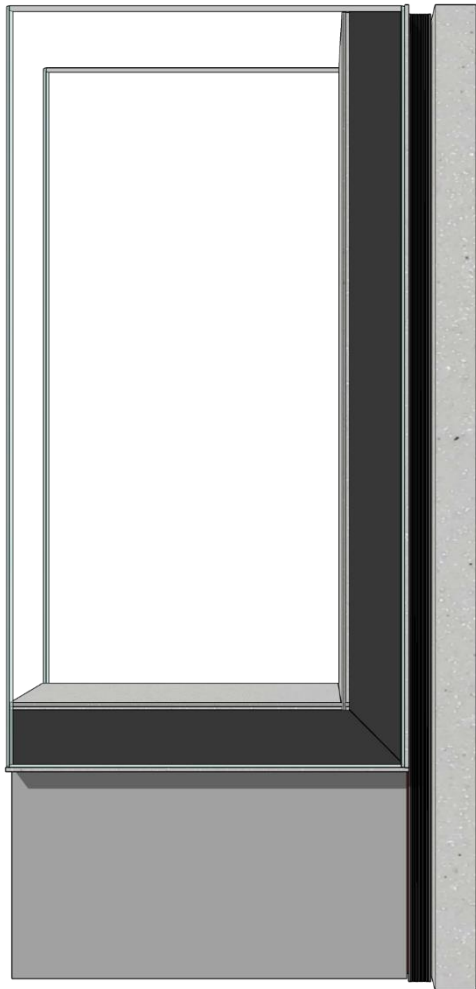


---

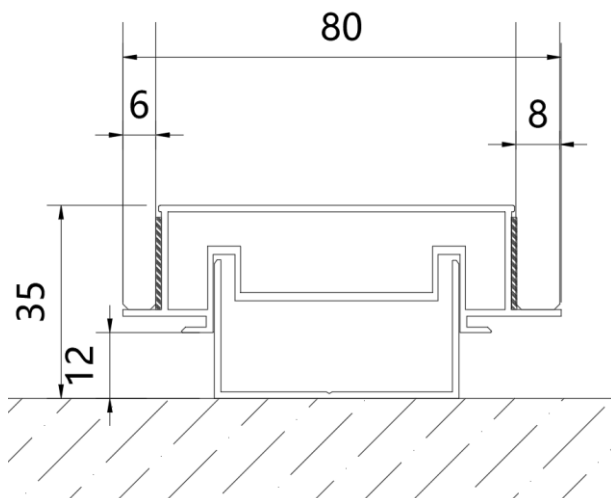
80 Concealed Frame Partition

---

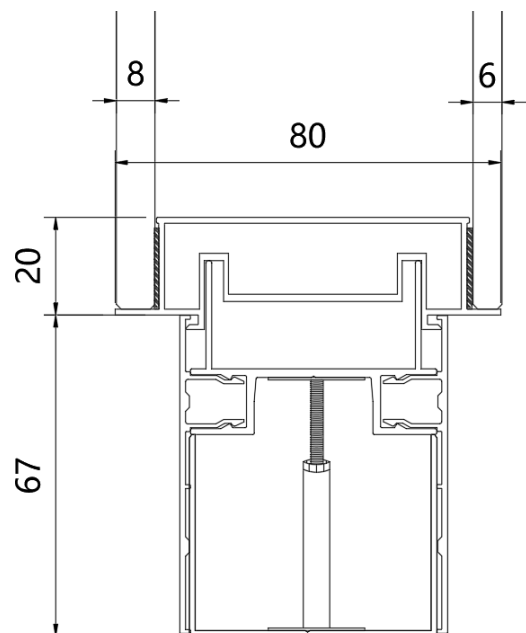
80 Concealed Frame Prefabricated Partition Detail



80 Concealed Framing Unitized  
Partition Wall Connection Detail

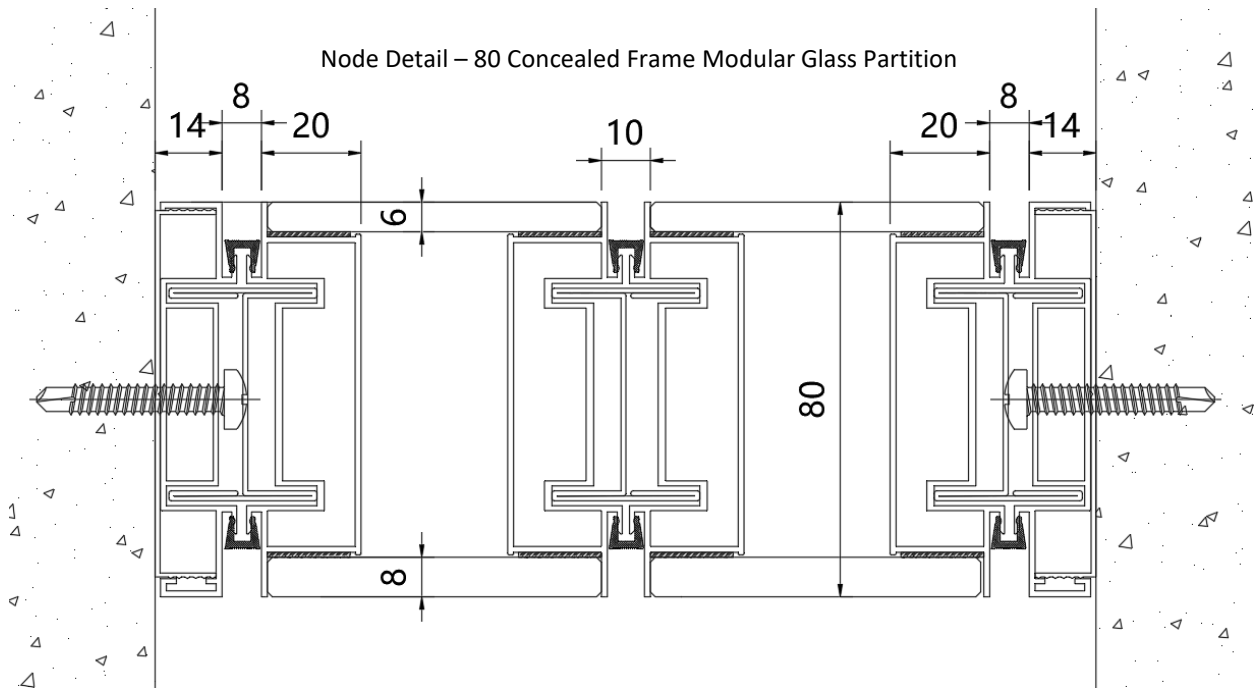


80 Concealed Frame Prefabricated  
Partition – Floor Track Detail Option 1

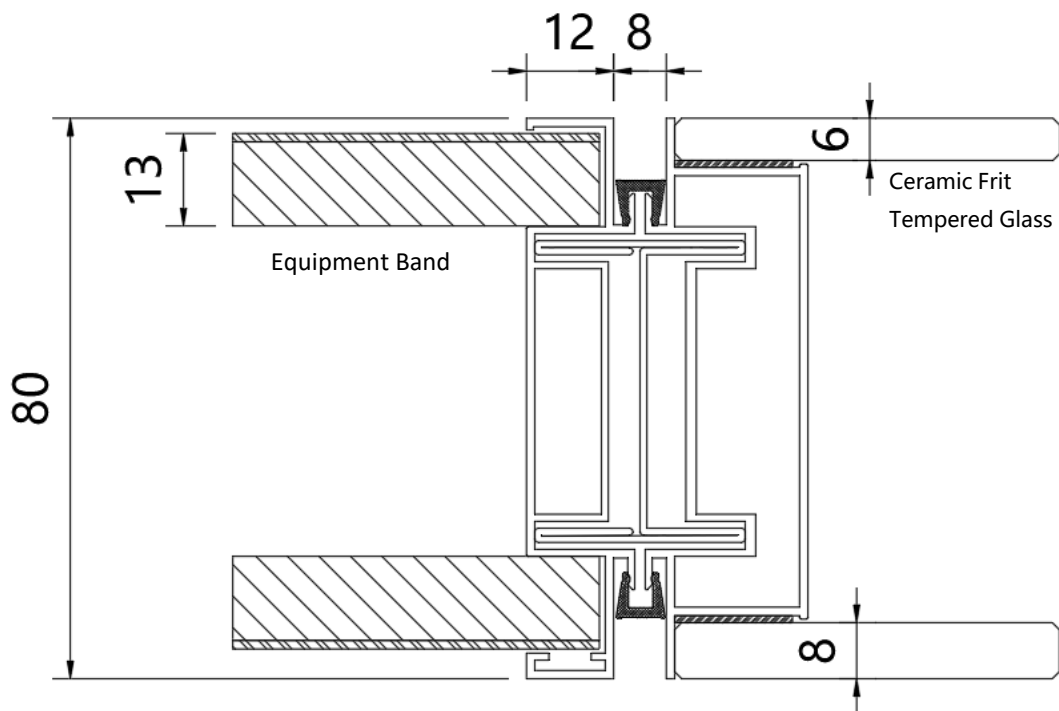


80 Concealed Frame Prefabricated  
Partition – Floor Track Detail Option 2

80 Concealed Frame Prefabricated Partition Detail

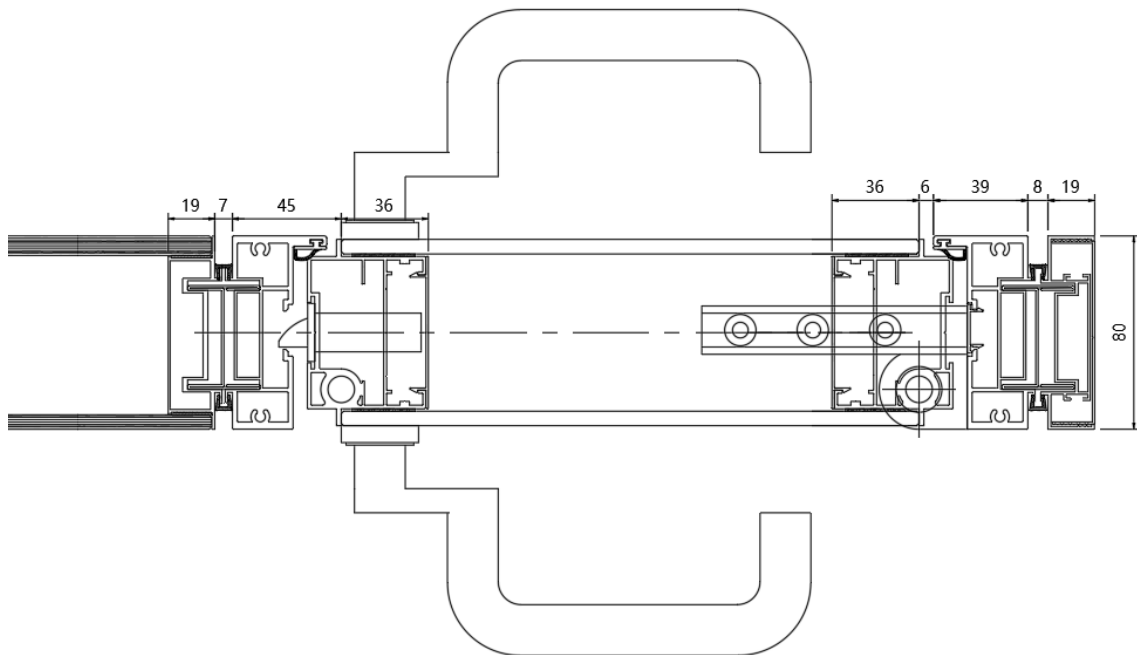
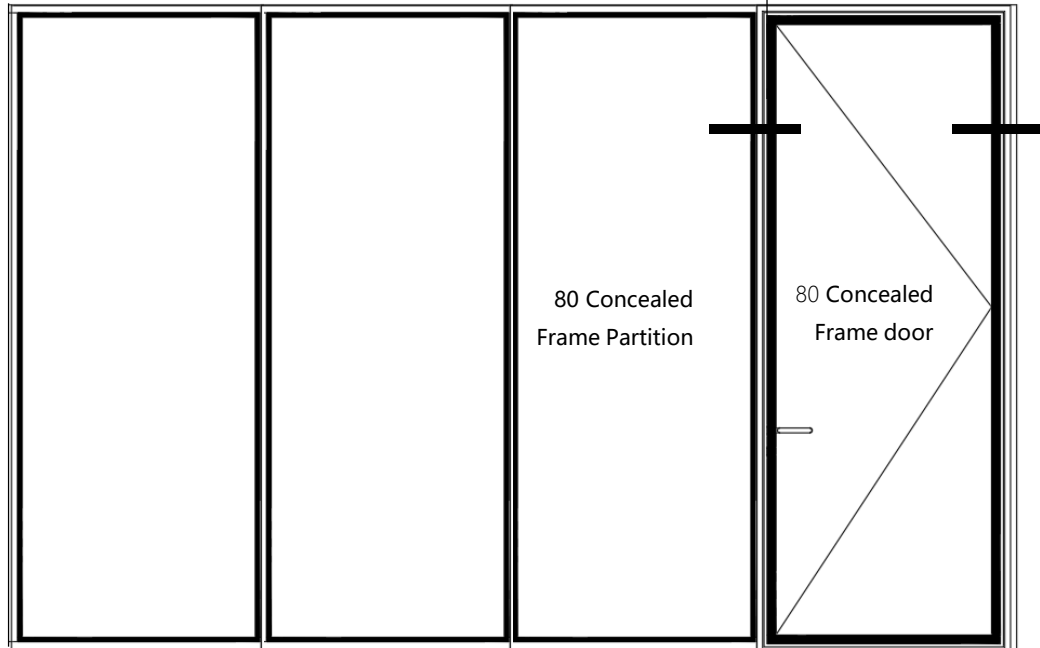


80 Integrated Service Panel with Concealed Framed Glazed Partition Detail



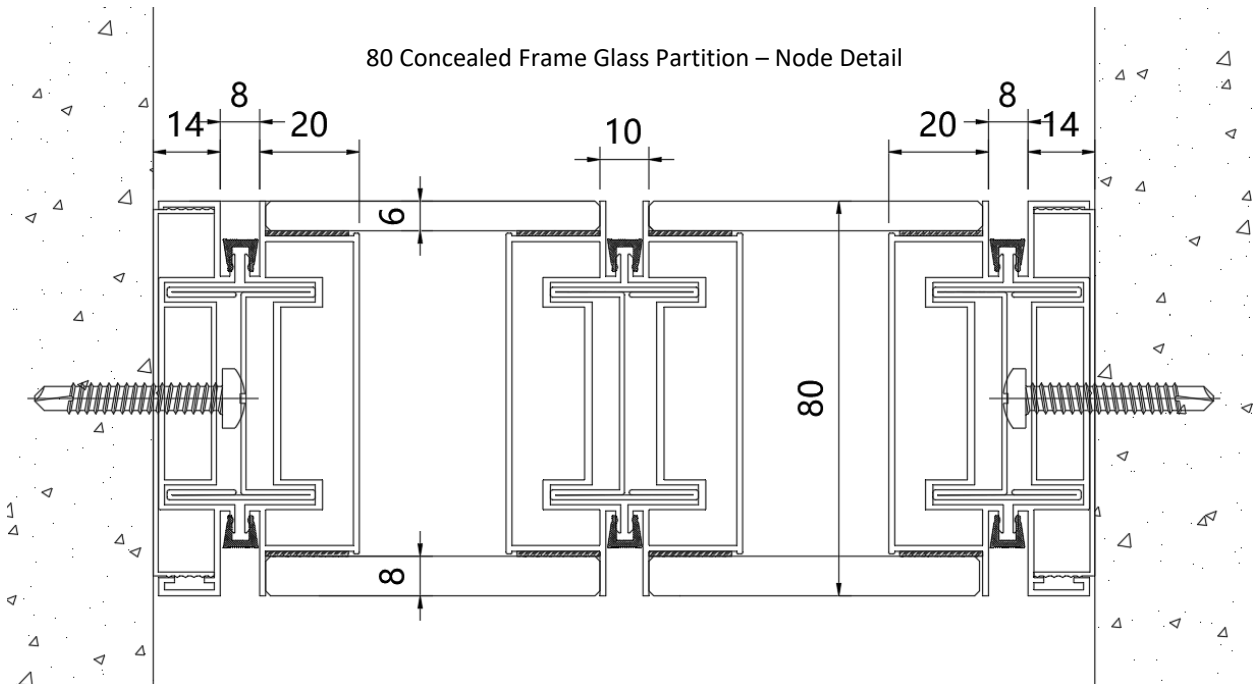
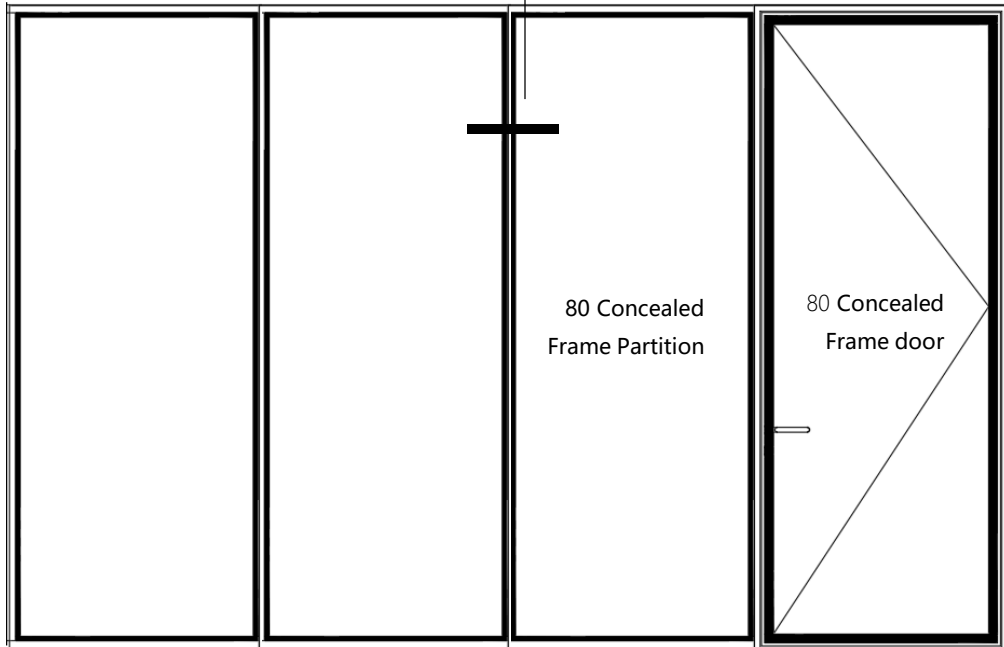
80 Concealed Frame Prefabricated Partition  
& Door System Interface Detail

Node Cross-Section Detail



80 Concealed Frame Prefabricated Partition  
 & 80 Ice Crystal Partition Connection Details

Node Cross-Section Detail



80 Prefabricated Partition Picture



80 Prefabricated Partition Picture





PDA website: [www.international-pda.com](http://www.international-pda.com)

contact: International Business Manager: **Yini Tao**

E-mail: [taoyini@eng-pda.com](mailto:taoyini@eng-pda.com)

Marketing Manager: **Nancy Zhao**

E-mail: [zhz@eng-pda.com](mailto:zhz@eng-pda.com)